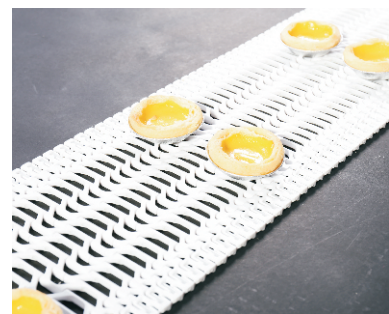
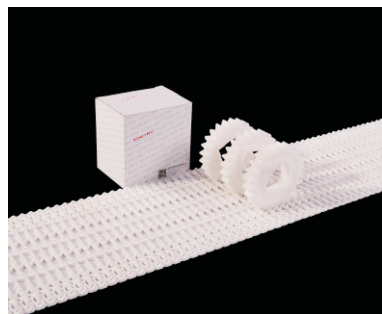
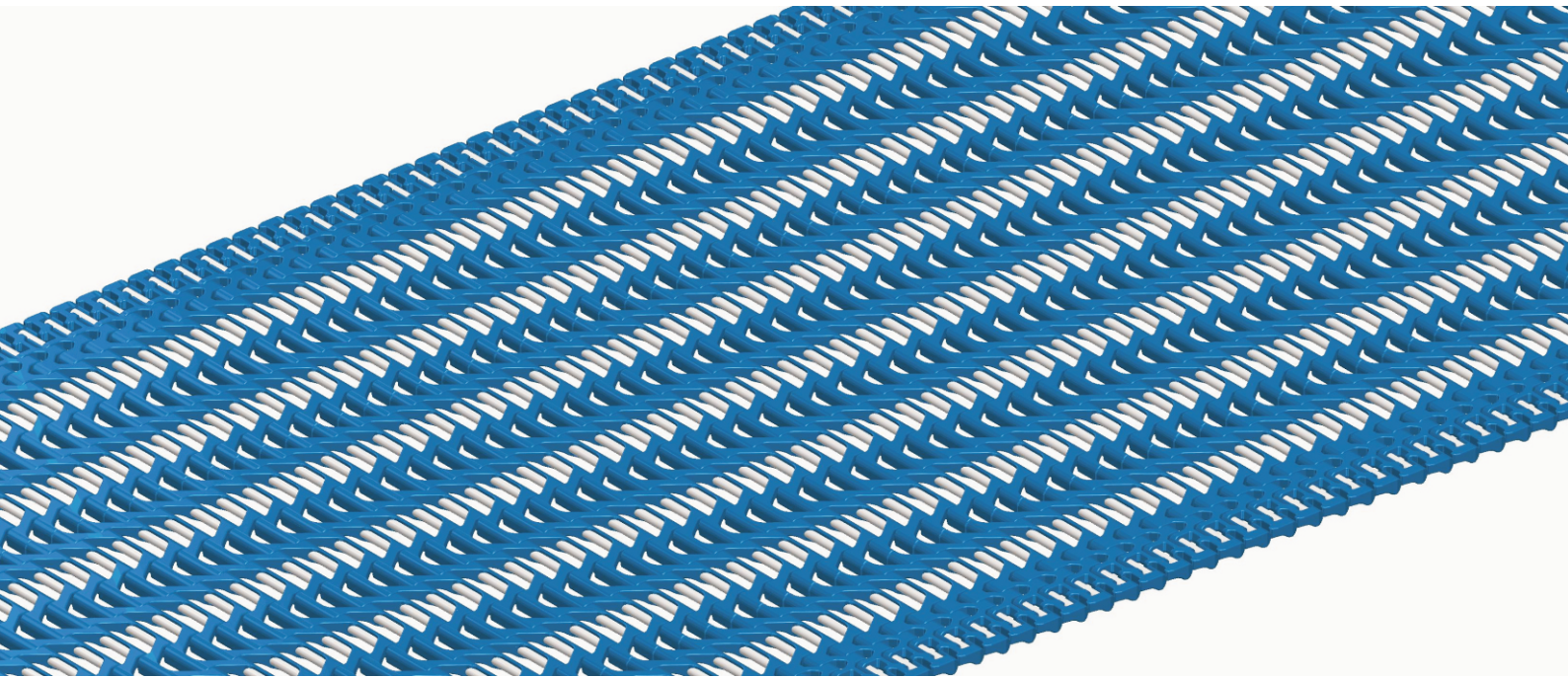
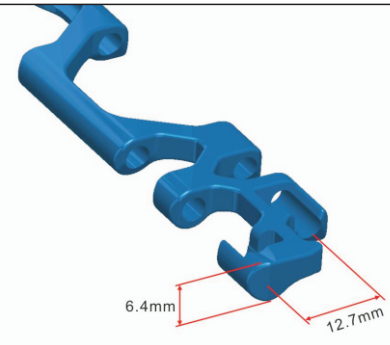


HS-1500B-N Technical Data Sheet



Pitch: 12.7mm Minimum Width: 204mm Open Area: 53% Approved: FDA Rod: Ø3.5mm Flight: Yes Side Guard: No Curve: No	
---	--

Data

Belt Material	Belt Strength			Temperature		Belt Weight (Kg/M ²)
	Straight		Curve	°C (min.)	°C (max.)	
	Kg/M(BW)	N/M(BW)				
Polypropylene	220	2200	--	1	100	2.12
Polyethylene	186	1860	--	-60	60	2.42
Acetal	356	3560	--	-40	80	3.56
Nylon	257	2570	--	1	180	2.83

BW – Belt Width

Color Table

Polypropylene					Polyethylene					Acetal					Nylon				
W	G	N	DB	B	W	G	N	DB	B	W	G	N	DB	B	W	G	N	DB	B
●	●						●			●			●	●				●	

W-White, G-Gray, N-Nature, DB-Darkbrown, B-Blue

Friction Table

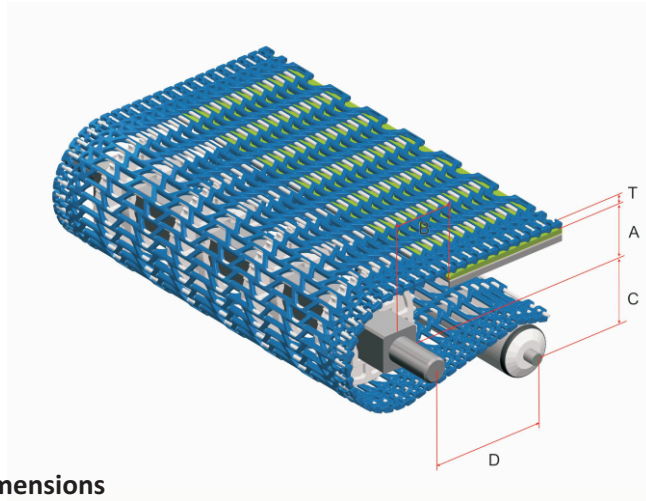
Belt Material	Friction Wear strips & Products							
	UHMW	HDPE	Steel	Glass	sus	Plastic	Cardboard	Aluminum
Polypropylene	0.32	0.24	0.15	0.09	0.13	0.08	0.15	0.25
Polyethylene	0.13	0.11	0.26	0.19	0.31	0.16	0.21	0.41
Acetal	0.11	0.09	0.27	0.16	0.26	0.15	0.19	0.28
Nylon	0.18	0.13	0.25	0.16	0.26	0.16	0.19	0.27

SUS – Stainless Steel

Equivalent type with other Brand

Brand Name	Intralox	UNI	Rexnord	MCC	Habasit	KVP
Series & Type	1100	M-SNB	500	500	M1100	SM605
	1500				M1200	CH605

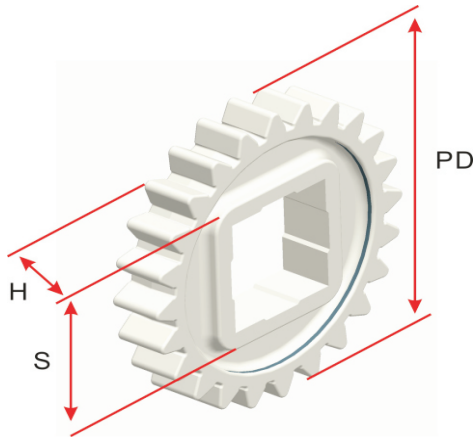
The above content is only for reference.



Conveyor Frame Dimensions

Unit: mm

No. Teeth	A (Min.)	B (Min.)	C (Max.)	D (Min.)	T
10	19.3	32.5	20.1	100	6.4
12	23.3	36.5	24.1	100	
14	27.6	40.8	28.4	100	
17	33.45	46.65	34.25	100	
19	37.3	50.5	38.1	100	
24	47.5	60.7	48.3	100	
36	73.3	86.5	74.1	200	



Sprocket Dimensions

Unit: mm

No. Teeth	PD	S	D	H	K
10	45	16.2	--	16.5	--
12	53	25.6	20.2/25.6	16.5	6.4X3.2
14	61.6	25.4	37.15	16.5	8X8
17	73.3	--	35	16.5	8X8
19	81	38.1	25.4/35	16.5	8X8
24	101.4	38.1	25.4/30.5	16.5	6.4X3.2
36	153	38.1/40.2	--	16.5	--